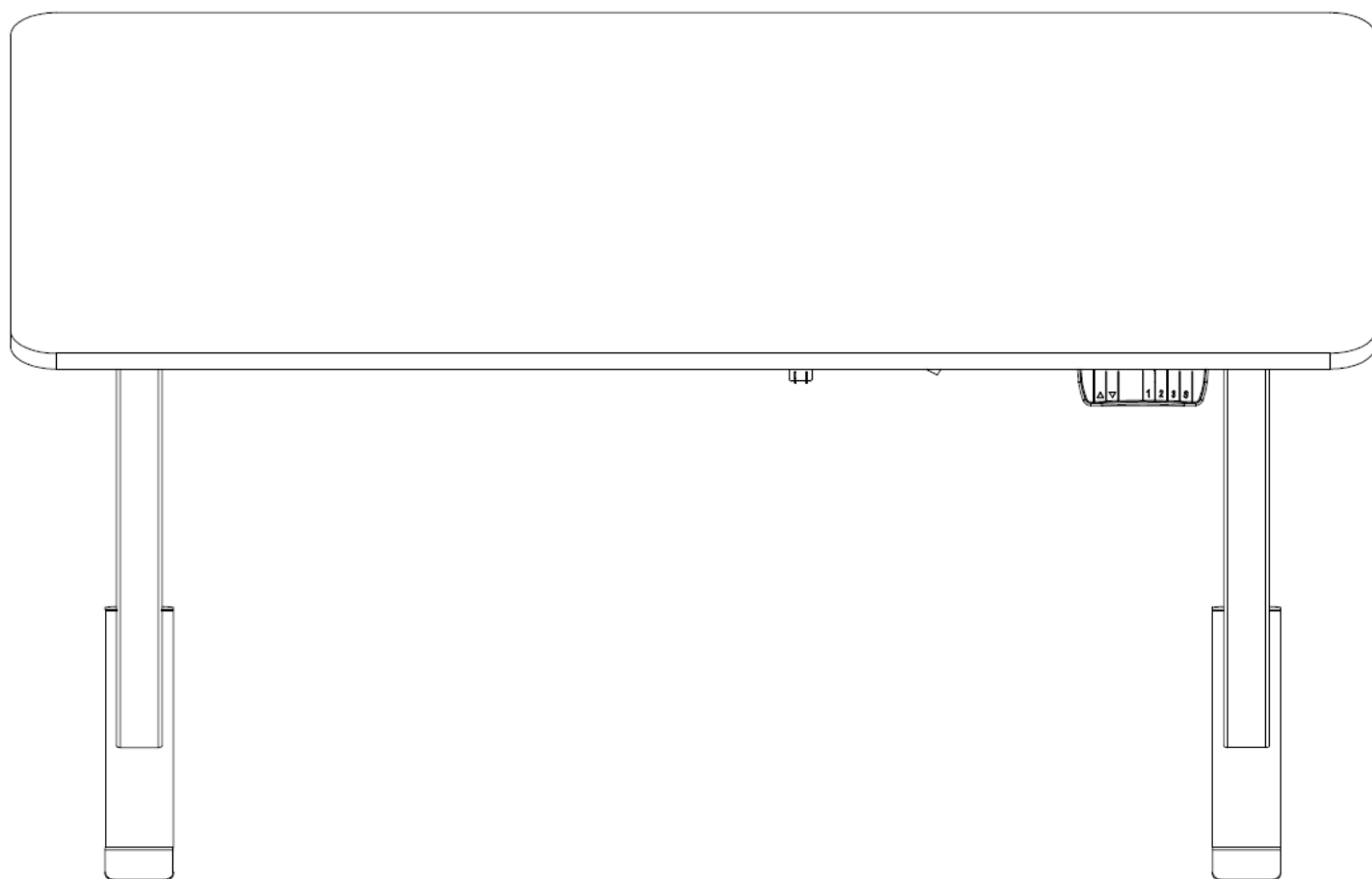


# Assembly instruction



Make sure no obstacles are in the desk's path.  
Make sure the desktop is not touching any walls.  
Make sure all cords are appropriate length to accommodate the change in height.

## WARNING

Pinch Point! Keep hands and fingers clear.

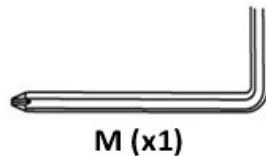
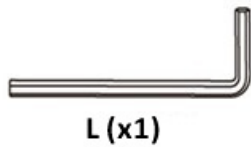
- Keep children away from electric height-adjustable desks, control units and handsets. There is a risk of injury and electric shock.
- Keep all electrical components away from liquids.
- Do not sit or stand on the desk frame. Do not crawl or lie under the desk frame.
- Do not open any of the components - legs, control box, or switch. There is a danger of electric shock.
- This product is designed with a duty cycle of 10%. (2 min. on, 18 min. off).

## USE/LIABILITY

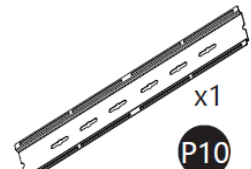
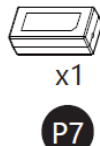
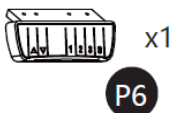
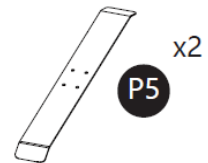
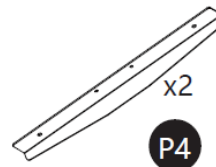
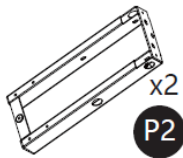
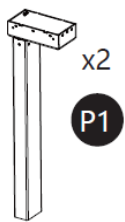
- This height adjustable desk has electric motors and is designed for use in dry work areas only.
- The desk height is adjustable so that it can be positioned at the most ergonomically suitable height.
- Any other use is at user's risk.
- Under no circumstances does the manufacturer accept warranty claims or liability claims for damage caused from improper use or handling of the desk frame.

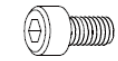
## PARTS

### Required tools



### Components





P21 x8

M6x8



P22 x8

M6x8



P23 x8

M6x15



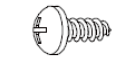
P24 x4

M6x40



P25 x6

M5x16



P26 x2

M5x16

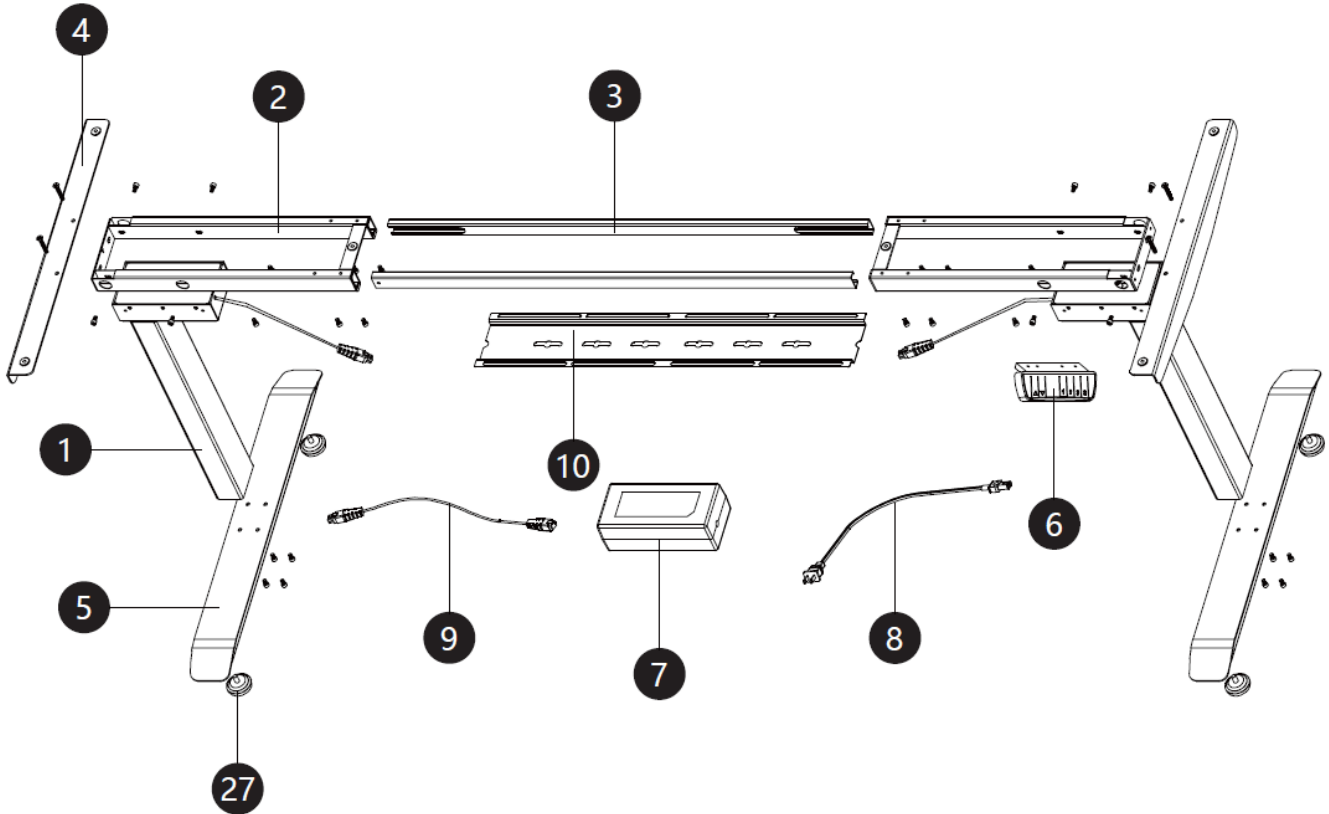


P27 x4



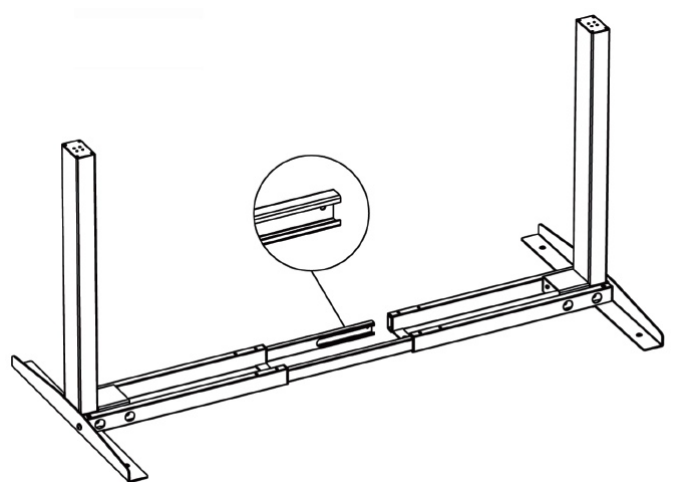
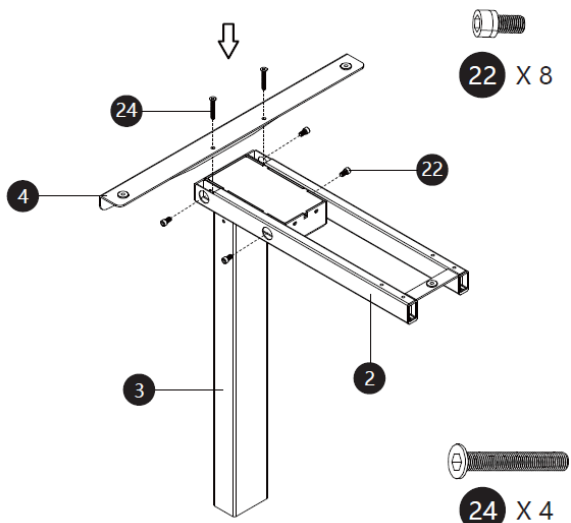
P28 x6

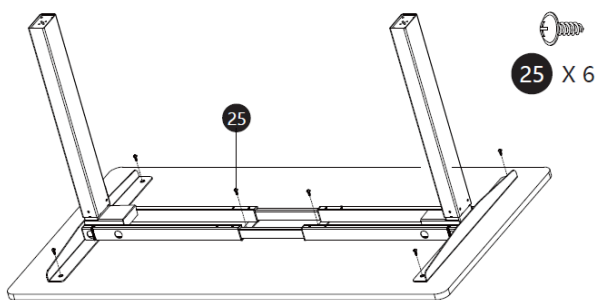
## ASSEMBLY INSTRUCTION



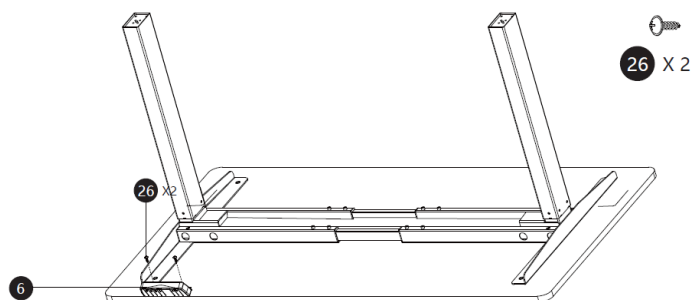
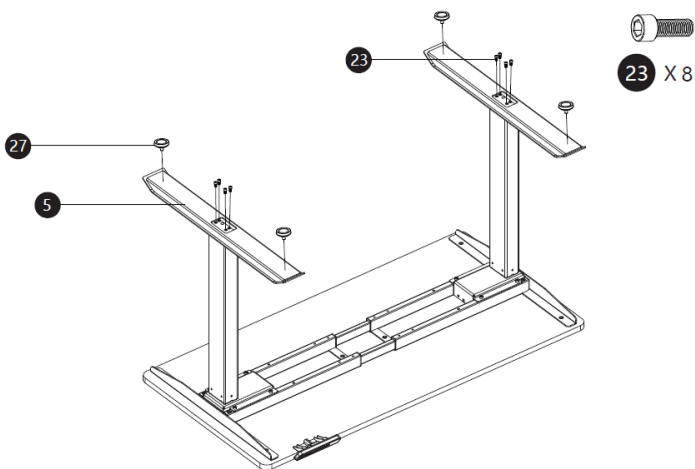
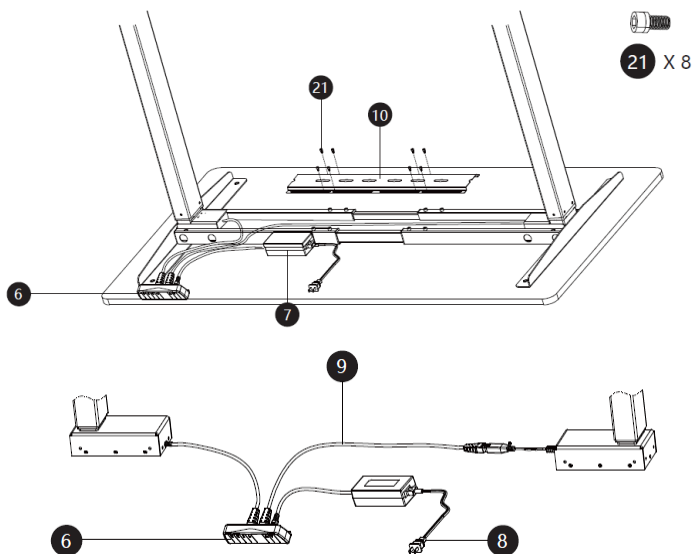
1

2



**3**

Double check that the wood screws are not too long for your desktop and won't puncture the surface when screwed all the way in. We recommend that you pre-drill any holes needed for fasteners connecting.

**4****5****6**

Connect the LC cables, switch cable and the power cord to the control box. Use the adhesive-backed cable clips to secure the cables so they don't sag. Attach the control box to the middle of the crossbar, adjust the frame length with top, then covered the cable tray with crossbar ends.

Plug the power cord into a 110 – 240 V outlet.

Make sure no obstacles are in the desk's path. Make sure the desktop is not touching any walls. Make sure all cords are appropriate length to accommodate the change in height.

**Important:** the desk must be reset prior to use.

**RESET procedure:** press and HOLD the DOWN BUTTON on the switch until the desk reaches its lowest height. Release the DOWN button. Press and hold the DOWN button again until the LED display „RST”. Release the DOWN button. Press and hold the DOWN button again until the desk lowers a little bit more, slightly rises and stop. Release the DOWN button. Your desk is now ready to use.

To program up to four presets (on some models) use the up/down buttons to find a desired height, then press „S” („M” in some models) followed by a number from 1 to 3.

If Your desk is not functioning properly it may need to be reset. Unplug the power cord for 20 seconds. Plug the power cord back in and follow the RESET procedure.